



Installation instructions, accessories

Volvo Car Corporation Gothenburg, Sweden

Instruction No
31316486

Version
1.6

Part. No.
30756607, 31316446, 31330933, 31390471, 31369832, 31369831, 31369830, 31373333

Steering wheel



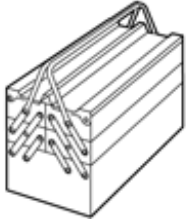
IMG-345467



Installation instructions, accessories

Volvo Car Corporation Gothenburg, Sweden

Equipment



IMG-345497

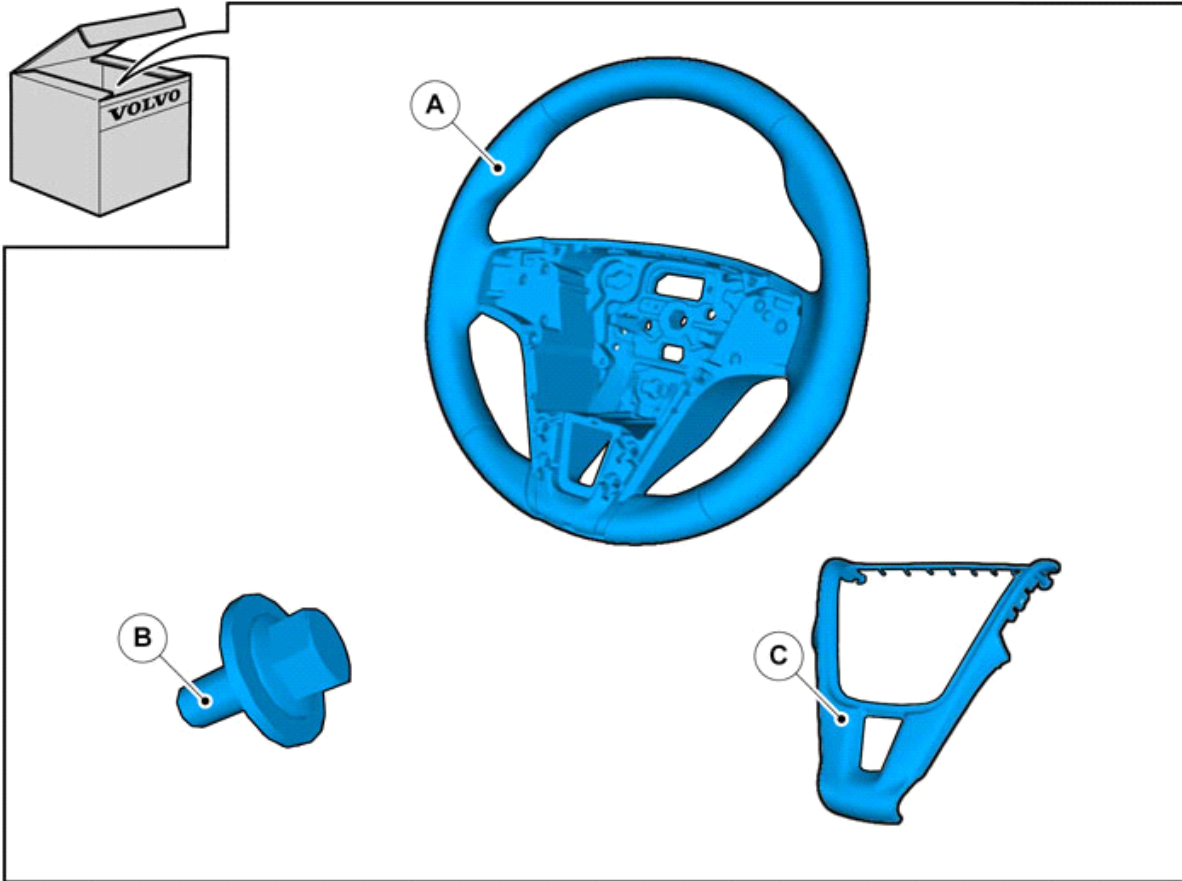


IMG-239667



IMG-239664

Nm
lbf.ft



IMG-344716



Installation instructions, accessories

Volvo Car Corporation Gothenburg, Sweden

Information

1

Read through all of the instructions before starting installation.

Notifications and warning texts are for your safety and to minimise the risk of something breaking during installation.

Ensure that all tools stated in the instructions are available before starting installation.

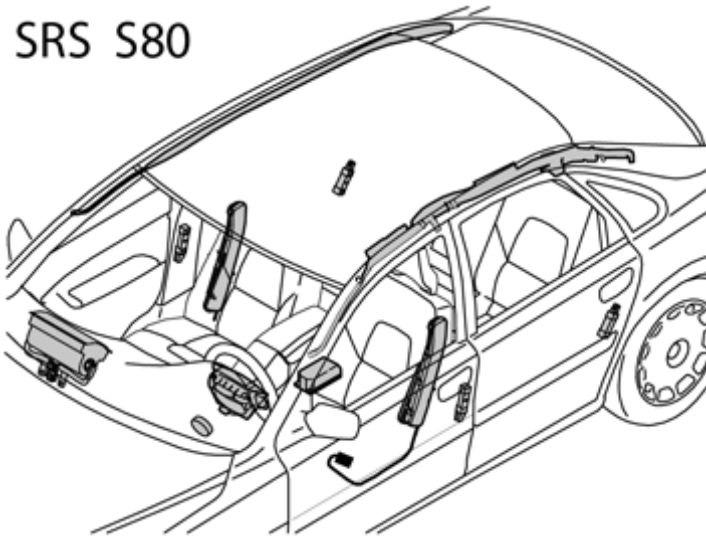
Certain steps in the instructions are only presented in the form of images. Explanatory text is also given for more complicated steps.

In the event of any problems with the instructions or the accessory, contact your local Volvo dealer.

Conditions

2

SRS S80



IMG-331412

Warning!

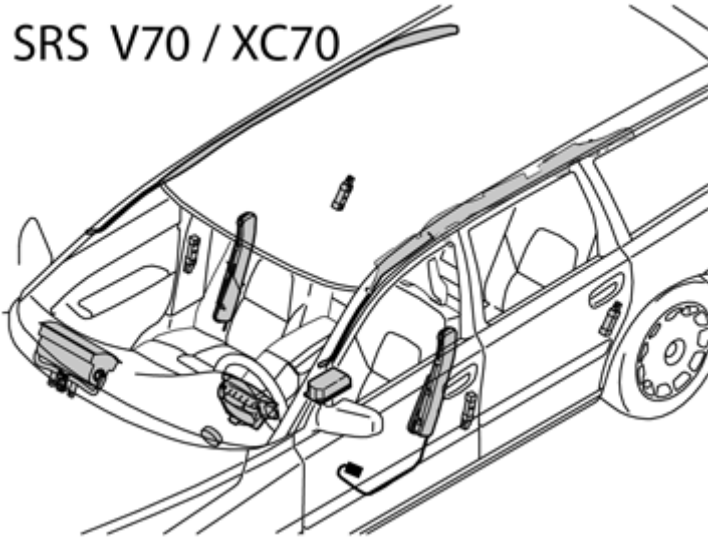
The supplemental restraint system (SRS) is active for a certain length of time after the power supply has been disconnected. Wait for a minimum of 30 seconds before disconnecting or removing any SRS components.



Installation instructions, accessories

Volvo Car Corporation Gothenburg, Sweden

3 SRS V70 / XC70



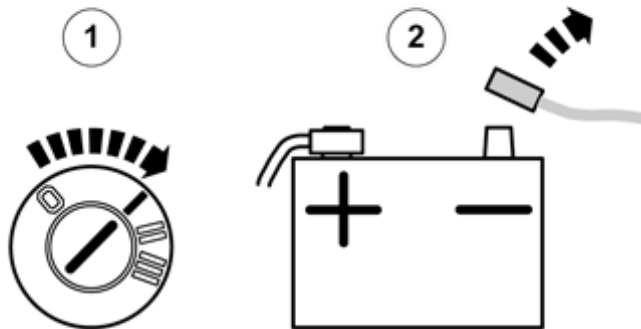
IMG-331413

Removal

4

Set the ignition key to position I.

Remove the battery's negative cable.



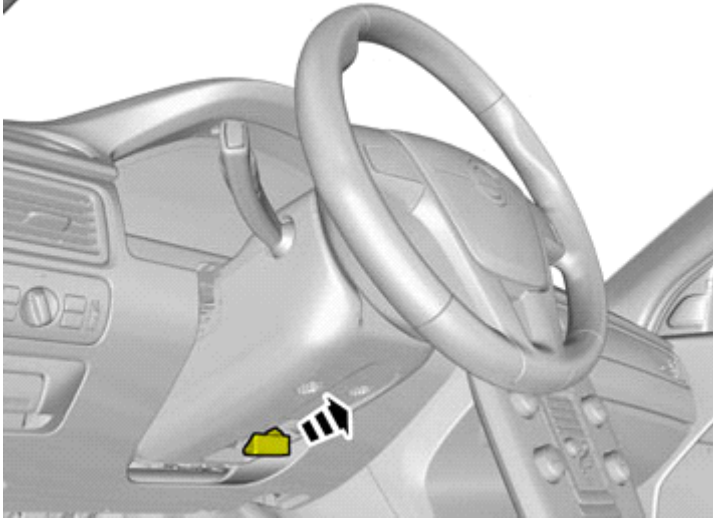
IMG-332180



Installation instructions, accessories

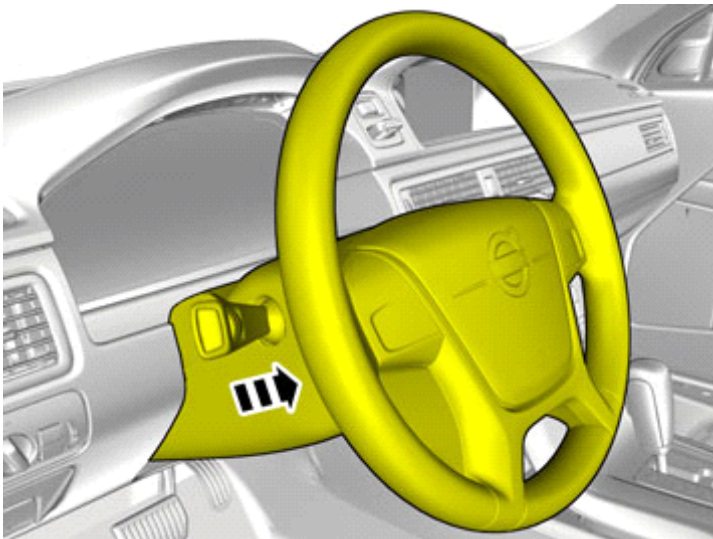
Volvo Car Corporation Gothenburg, Sweden

5



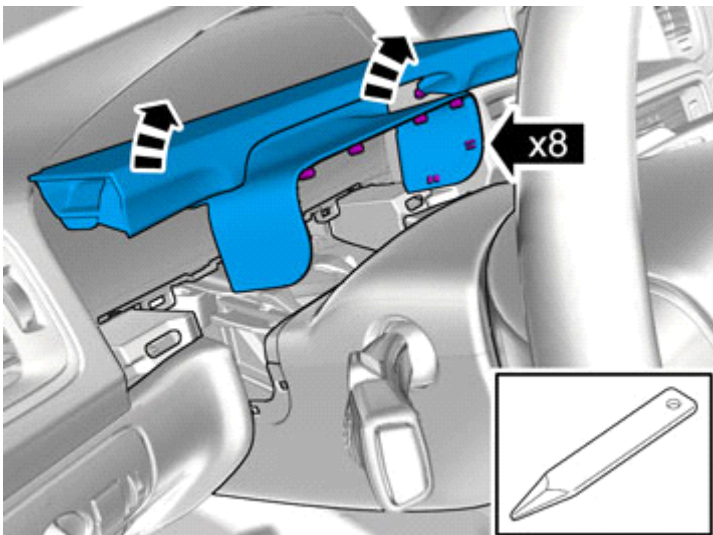
IMG-344717

6



IMG-344721

7



IMG-344722

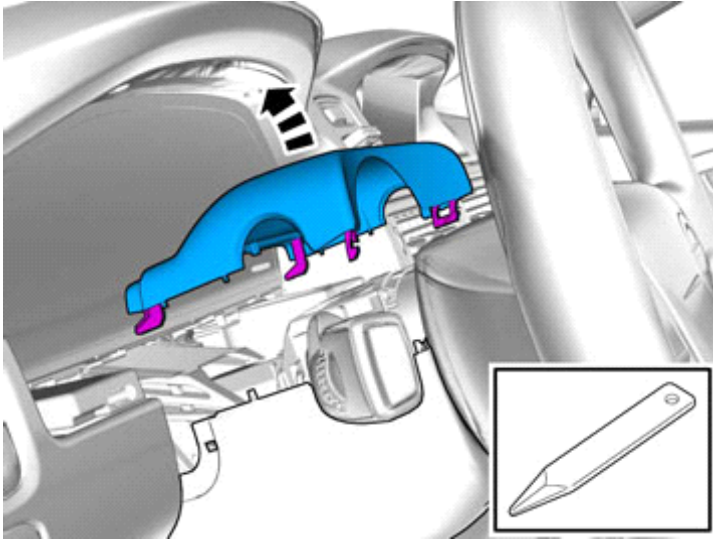
Remove the panel.



Installation instructions, accessories

Volvo Car Corporation Gothenburg, Sweden

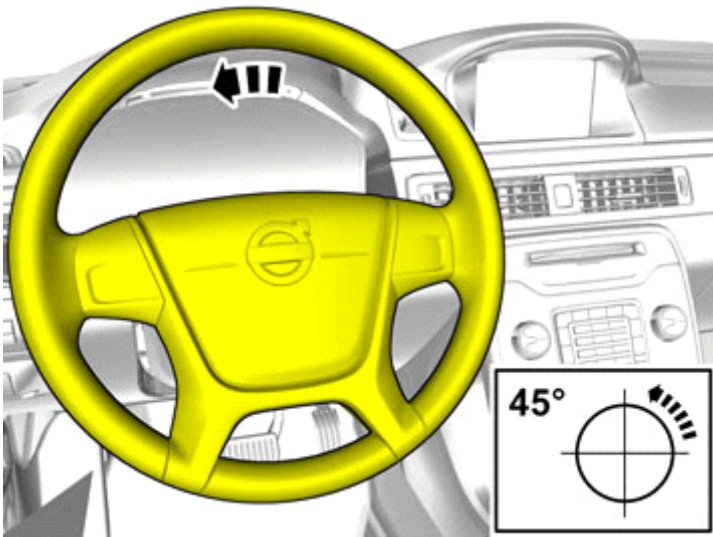
8



IMG-344723

Remove the panel.

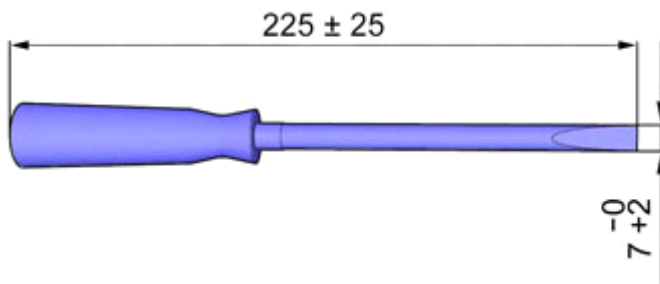
9



IMG-344724

10

mm



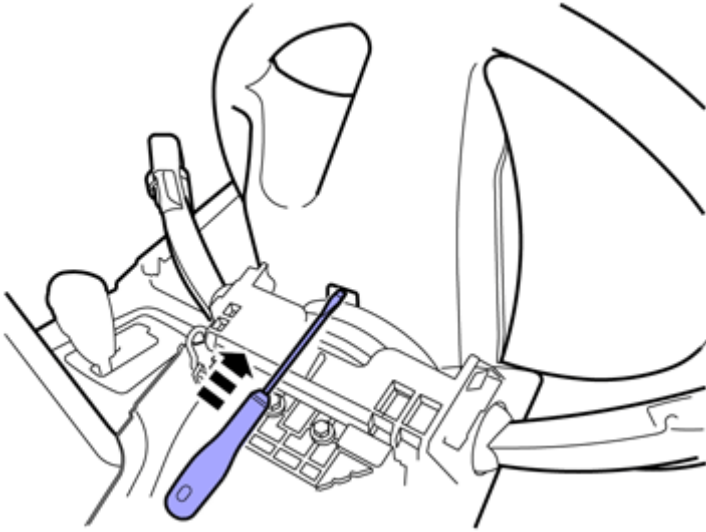
IMG-337683



Installation instructions, accessories

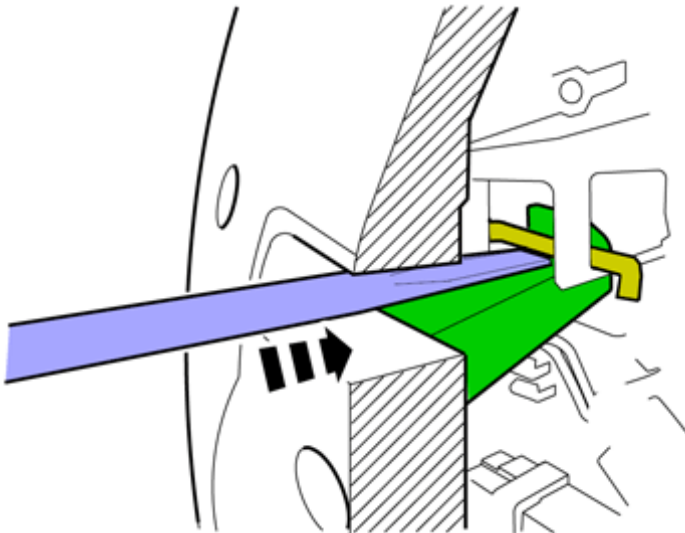
Volvo Car Corporation Gothenburg, Sweden

11



IMG-344725

12



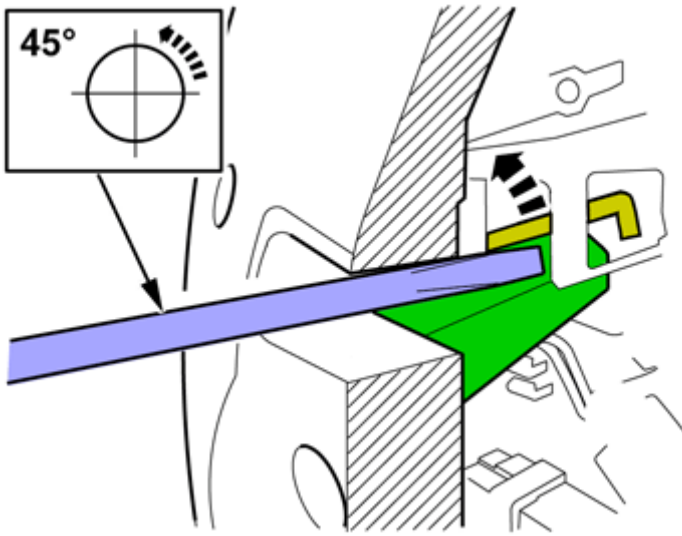
IMG-344726



Installation instructions, accessories

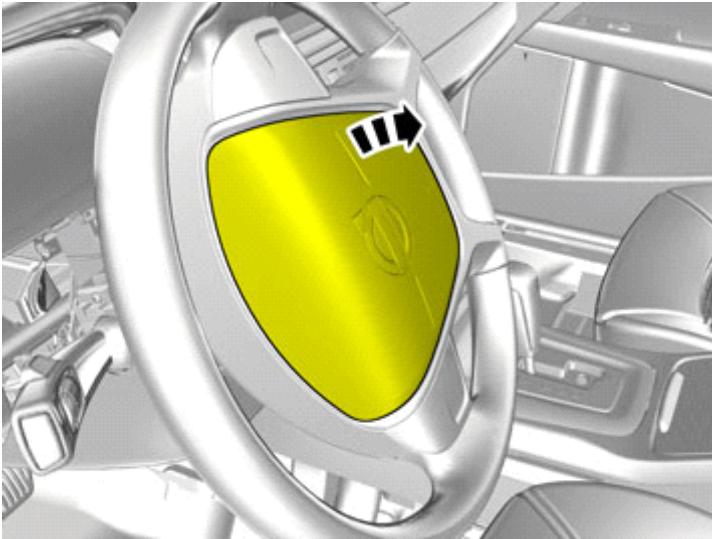
Volvo Car Corporation Gothenburg, Sweden

13



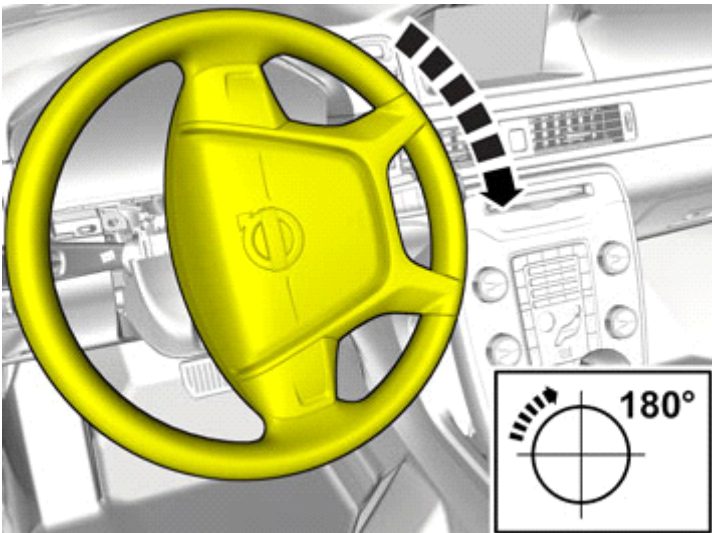
IMG-344727

14



IMG-344728

15



IMG-344763



Installation instructions, accessories

Volvo Car Corporation Gothenburg, Sweden

16

Repeat the steps when removing on opposite side.

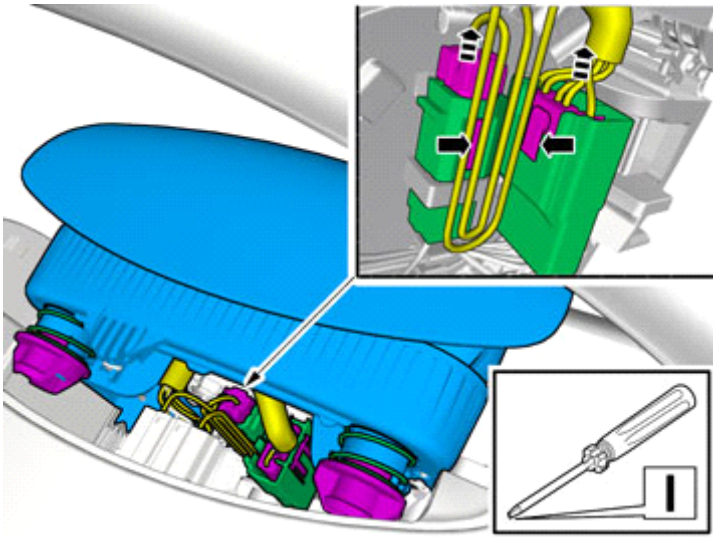
17



IMG-345493

Turn the steering wheel into neutral position.

18



IMG-344730

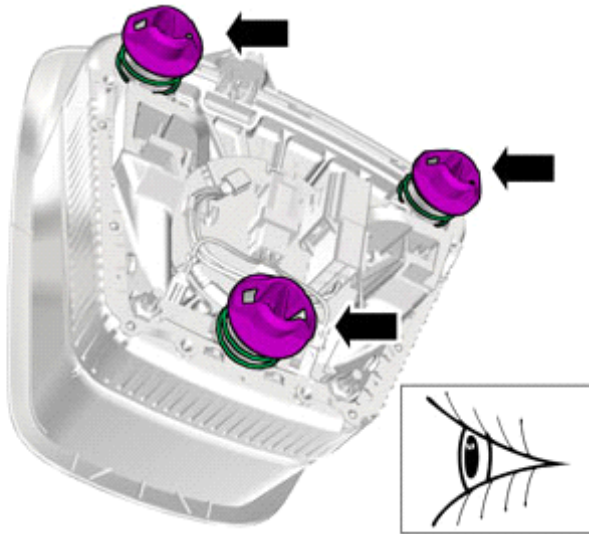
Disconnect the connectors.



Installation instructions, accessories

Volvo Car Corporation Gothenburg, Sweden

19

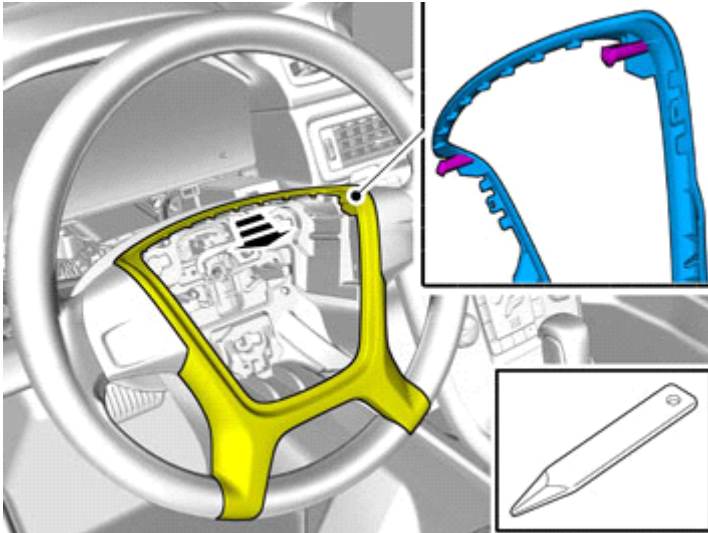


IMG-344731

Warning!

Place the airbag module with the front side facing up in a safe storage area during work.

20

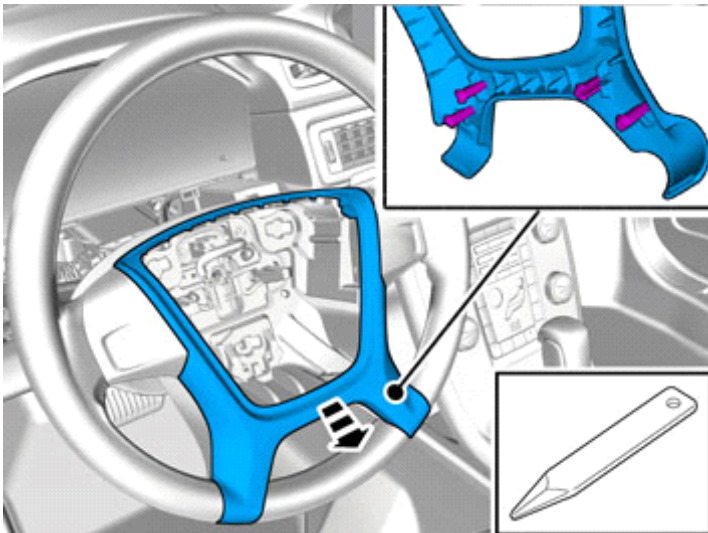


IMG-344732

Note!

This step requires considerable force.

21



IMG-344762

Note!

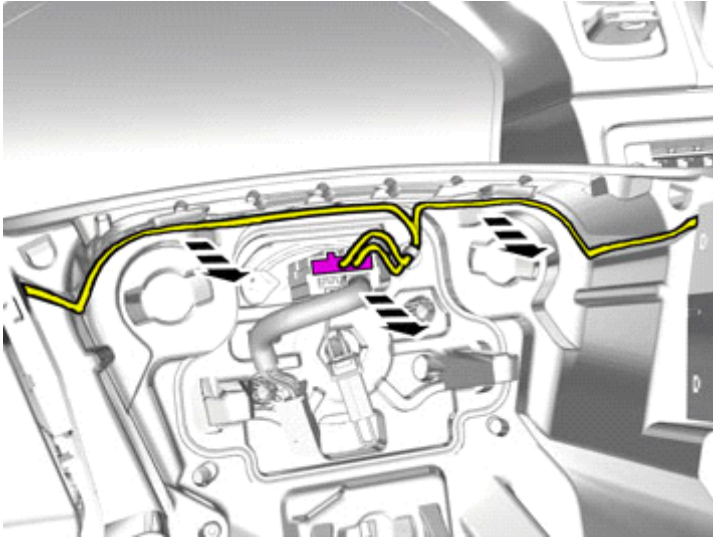
This step requires considerable force.



Installation instructions, accessories

Volvo Car Corporation Gothenburg, Sweden

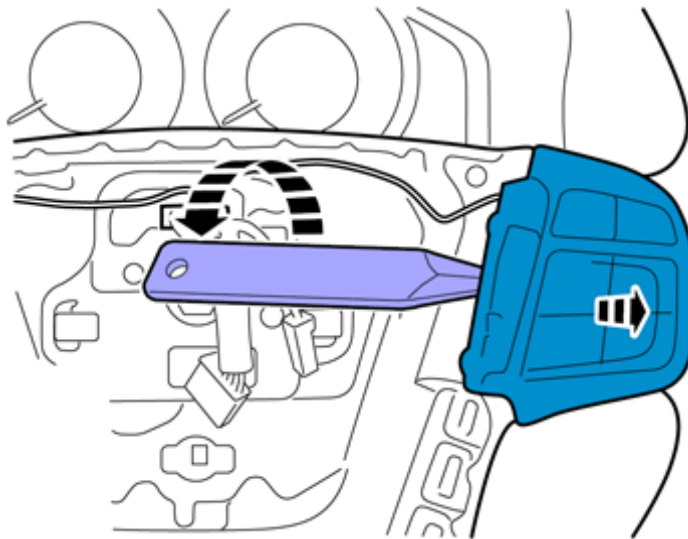
22



IMG-344733

Disconnect the connector.

23



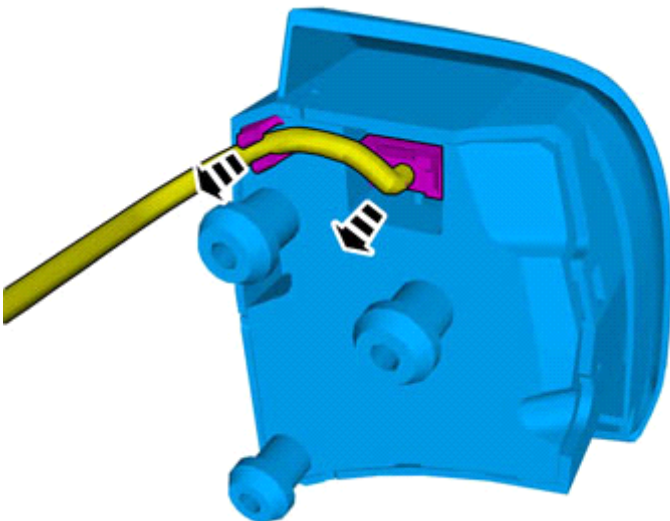
IMG-344734

Note!

This step requires considerable force.

Repeat on the other side.

24



IMG-344121

Note!

The number of connectors, cables and cable ties can vary depending on the vehicle's equipment level.

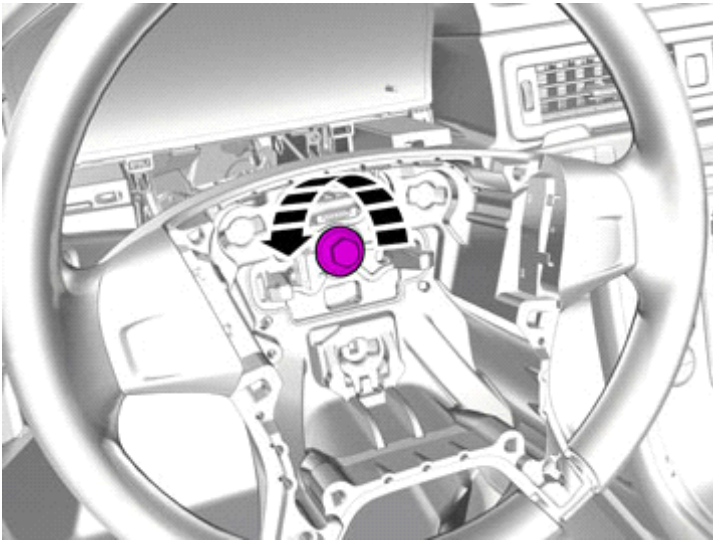
Repeat on the other side.



Installation instructions, accessories

Volvo Car Corporation Gothenburg, Sweden

25

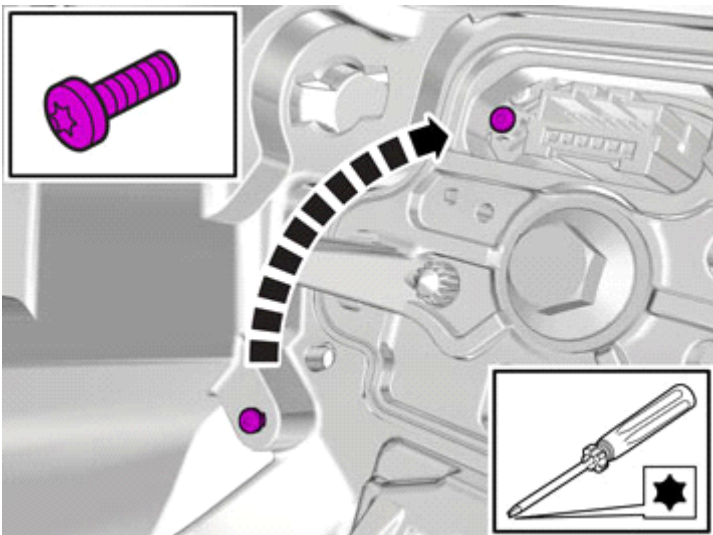


IMG-344735

Note!

Do not loosen the bolt more than 4 turns.

26



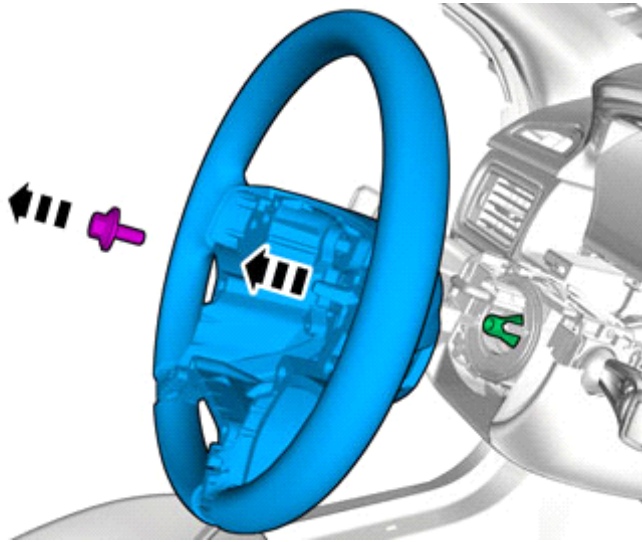
IMG-344736



Installation instructions, accessories

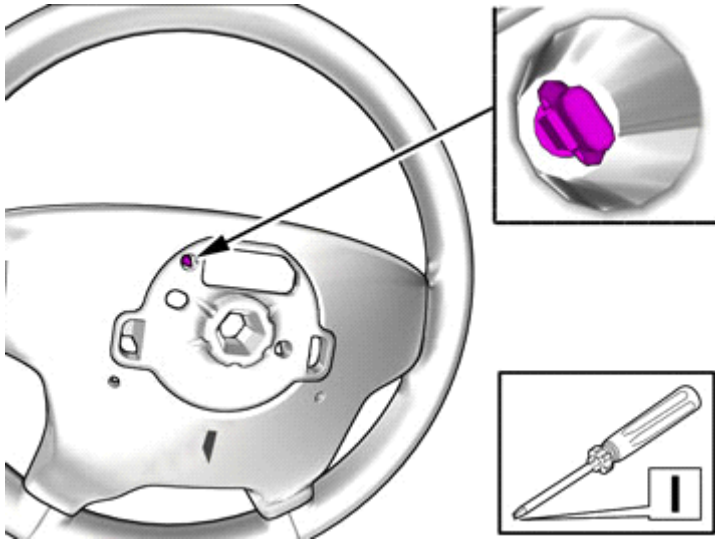
Volvo Car Corporation Gothenburg, Sweden

27



IMG-344737

28



IMG-344738

Remove the clip.

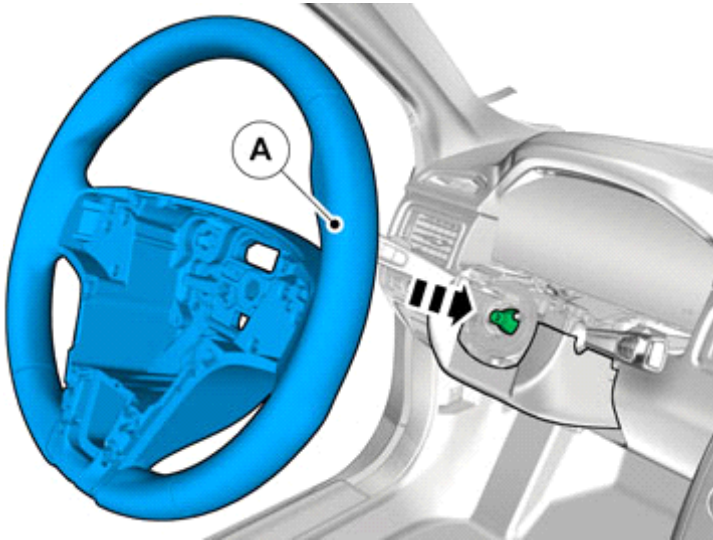
Installation



Installation instructions, accessories

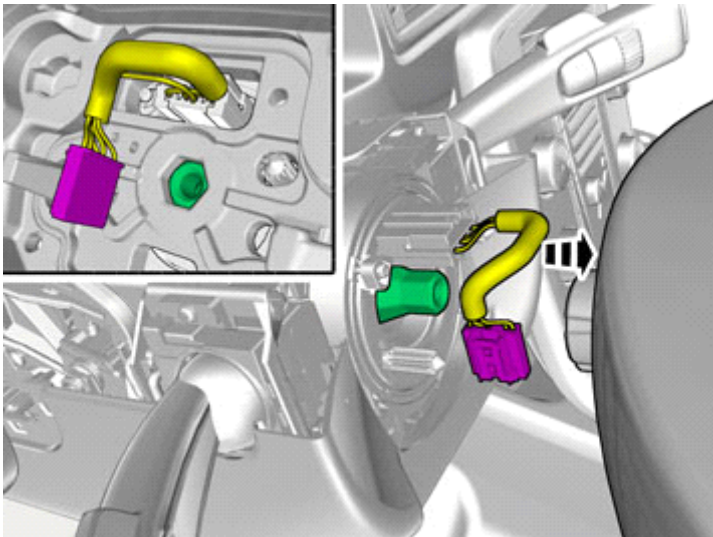
Volvo Car Corporation Gothenburg, Sweden

29



IMG-344739

30

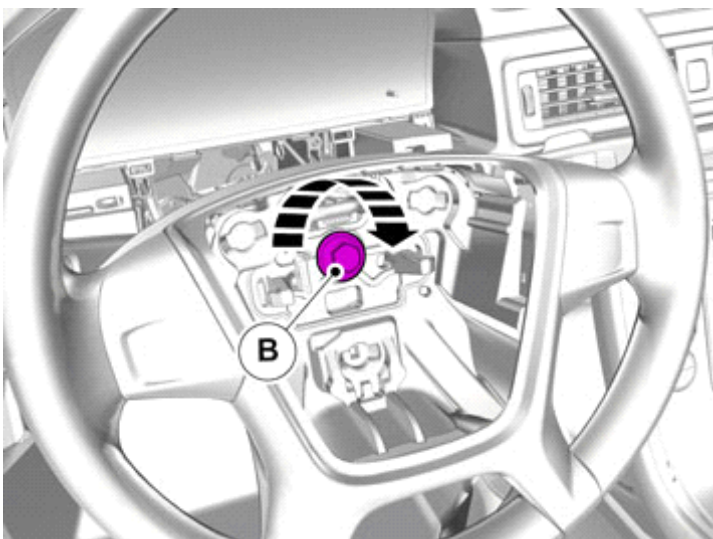


IMG-344740

Caution!

Make sure that no part of the wiring harness is trapped.

31



IMG-344741

Note!

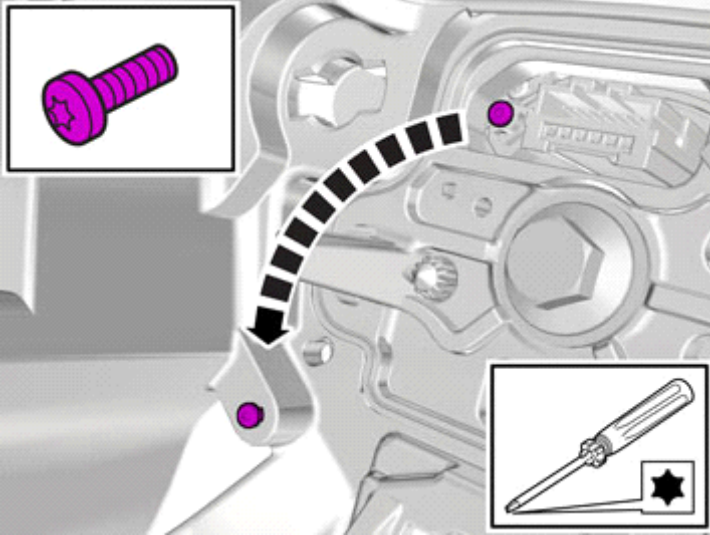
Only tighten the nut finger tight at this stage.



Installation instructions, accessories

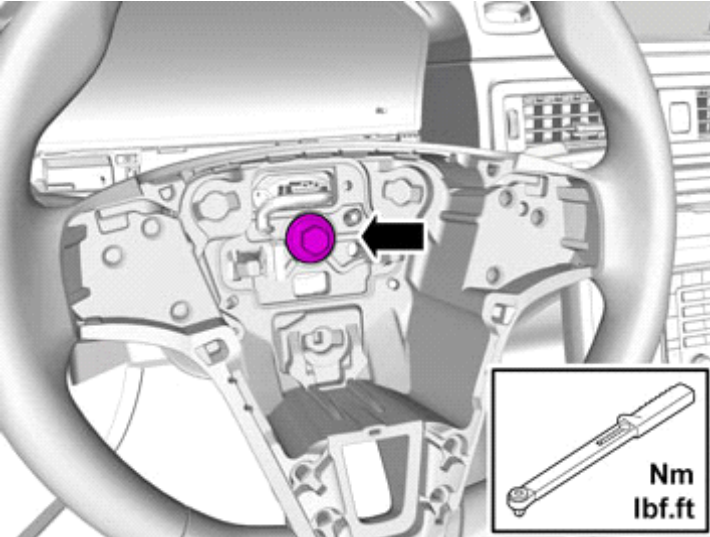
Volvo Car Corporation Gothenburg, Sweden

32



IMG-344742

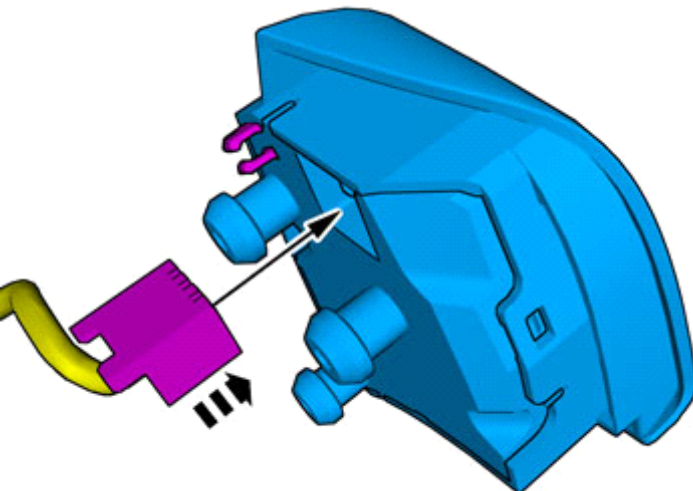
33



IMG-344743

Tightening torque: M10 , 50 Nm

34



Repeat on the other side.

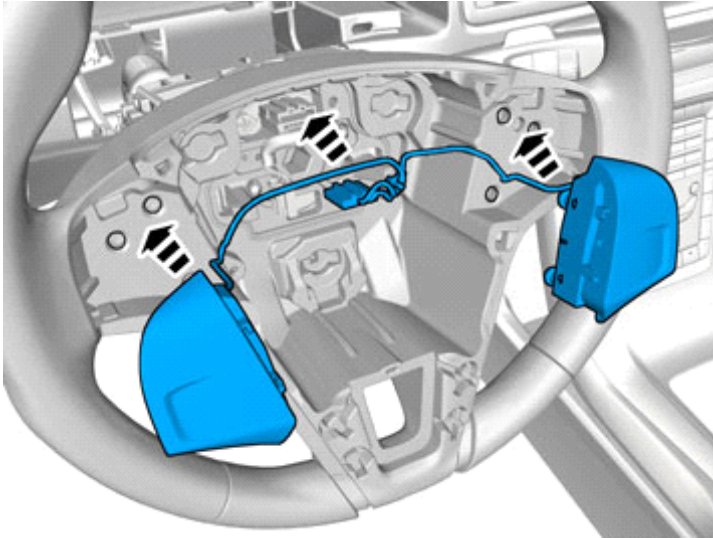
IMG-344744



Installation instructions, accessories

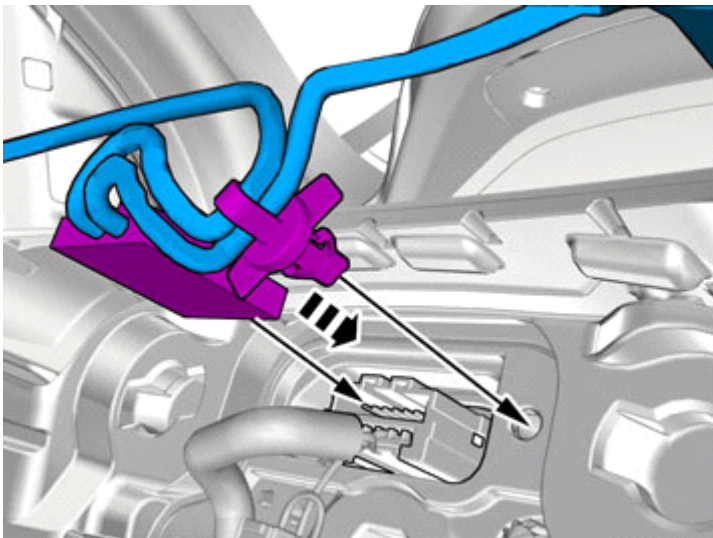
Volvo Car Corporation Gothenburg, Sweden

35



IMG-344745

36



IMG-344746

Connect the connector.

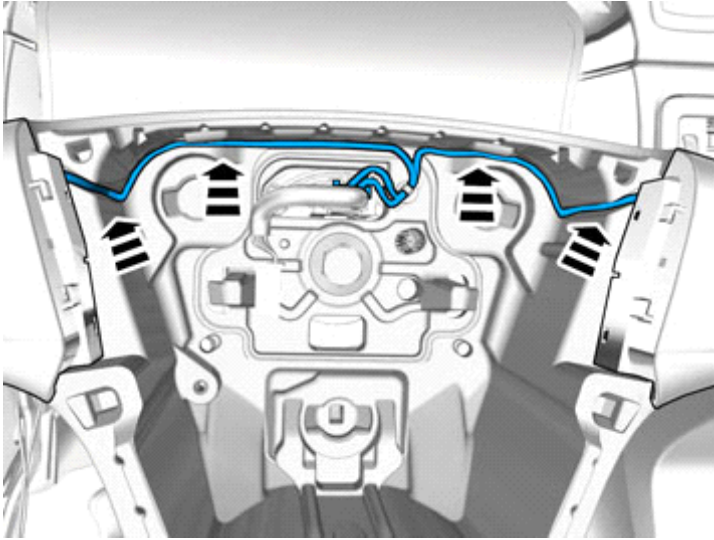
Install the clips as illustrated.



Installation instructions, accessories

Volvo Car Corporation Gothenburg, Sweden

37



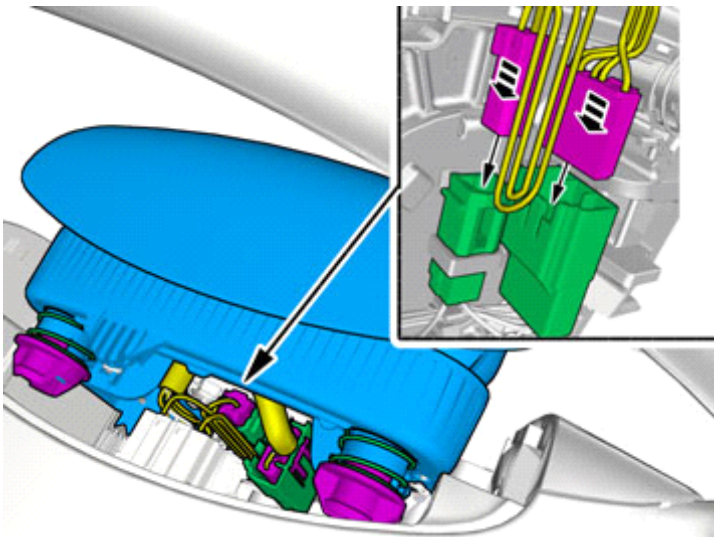
IMG-344747

38



IMG-339675

39



IMG-344748

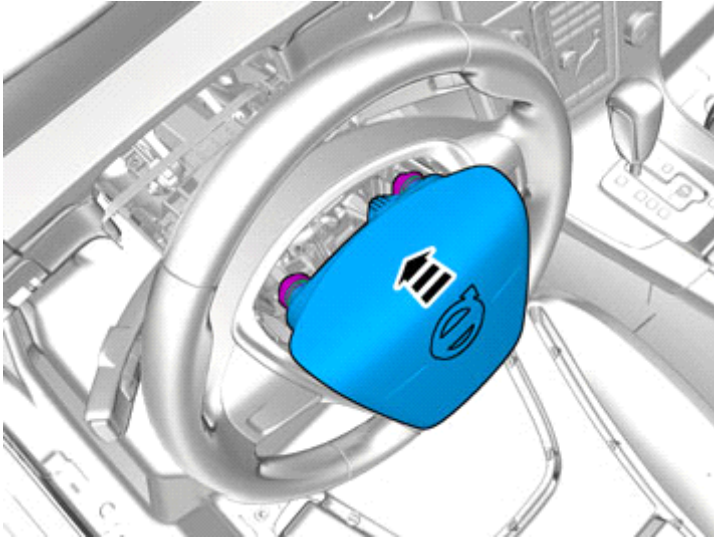
Connect the connectors.



Installation instructions, accessories

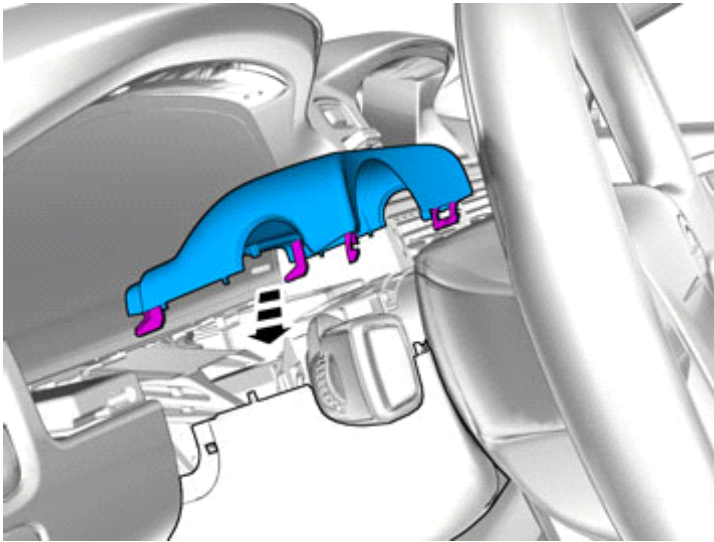
Volvo Car Corporation Gothenburg, Sweden

40



IMG-344749

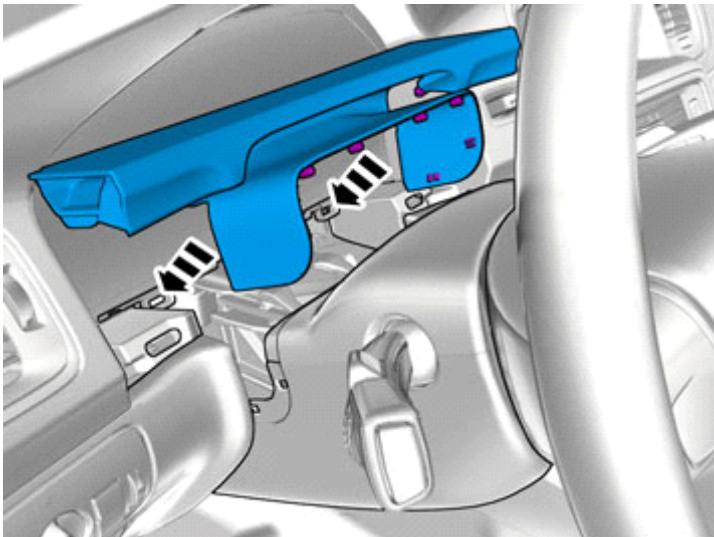
41



IMG-344758

Install the panel.

42



IMG-344751

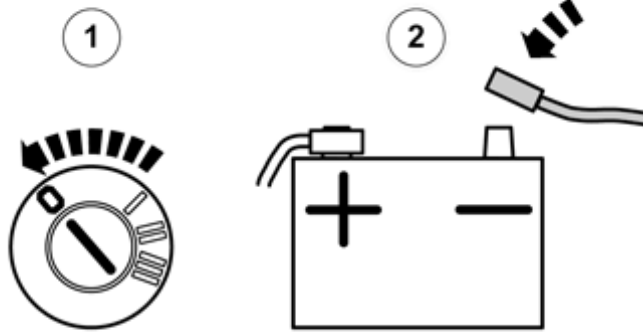
Install the panel.



Installation instructions, accessories

Volvo Car Corporation Gothenburg, Sweden

43



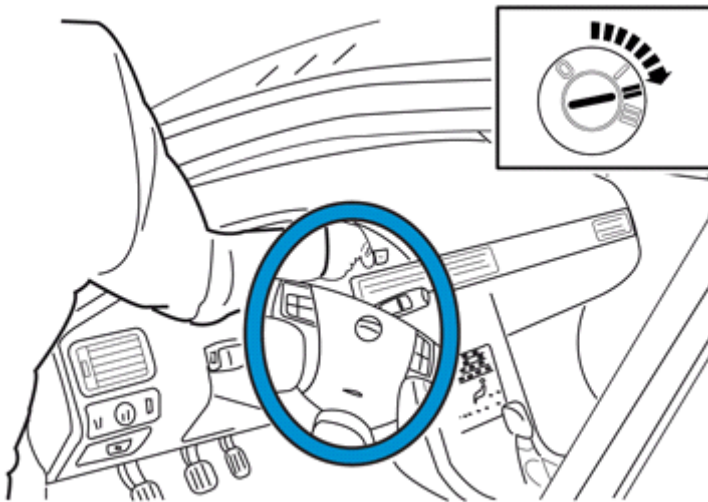
Note!

Make sure that the ignition key is in the OFF position.

Reinstall the battery's negative cable.

IMG-337646

44



Warning!

When switching the ignition on for the first time after a battery disconnect and connect, make sure to stand outside the vehicle and only reach into the vehicle keeping clear of the air bag deployment areas.

IMG-336904